

INSTALLATION MANUAL



PENSOTTI BOILERS

34 COFFIN AVE

BREWER, MAINE 04412

TEL 207.942.3636

FAX 207.942.3737

PENSOTTI TOWEL BAR WARMERS

TABLE OF CONTENTS

SECTIONS

- **CAUTION**
- **PRE-INSTALLATION**
- **INSPECTION**
- **ROUGH IN DIMENSIONS**
- **INSTALLATION**
- **OPERATION AND MAINTENANCE**

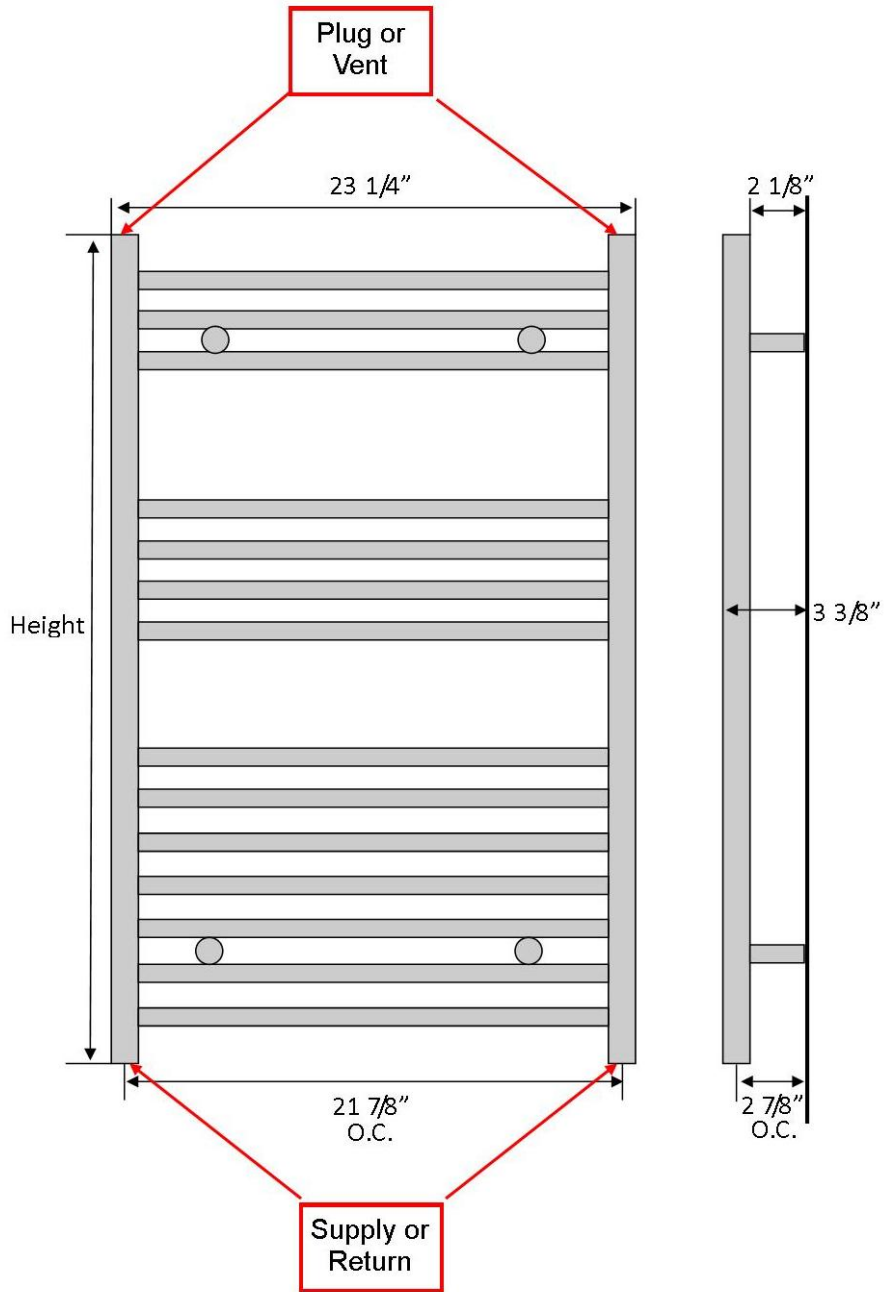
CAUTION

1. Before beginning the installation of this towel warmer, read this entire manual and leave the instructions with the owner for future reference.
2. Follow all instructions carefully. Failure to follow all instructions could result in improper operation, property damage or injury.
3. Use only a mild detergent, with a soft damp cloth to clean the towel warmer. **Do not** use abrasive or chlorine based cleaners, they will damage the towel warmer's finish. Be sure the towel warmer is cool before cleaning.
4. A minimum supply water temperature of 120 degree Fahrenheit is recommended to effectively warm towels.
5. Water temperatures above 120 degrees Fahrenheit will result in a **BURN HAZARD**. All precautions and instruction must be provided to the home owner to address this potentially dangerous issue. Households with children may require additional precautions and instruction.
6. Pensotti towel warmers must be installed in a **closed loop system only**. Installation in an open system will void the warranty.
7. Pensotti towel warmers are designed to provide warmth for warming towels and articles of clothing while providing some additional heat to the room in which it is installed. Larger units are recommended if they are to be the sole heat source for small and medium sized bathrooms.
8. Because of the weight, we recommend that two people install the towel warmer.
9. Towel warmers are intended for use with towels and similar articles of clothing washed in water. Items containing laundry detergent, soap, fabric softener and bath oil residue, when warmed on a towel warmer may show signs of scorching or discoloration. This is simply the discoloration of the residue on the fabric and not the fabric itself. All towels and articles of clothing must be rinsed well with clean water before being placed on a towel warmer. Pensotti LLC is **not responsible** for discoloration or damage to any item placed on the towel warmer.

PRE-INSTALLATION

1. Choose the installation location: Make sure there is ample clearance on the left and right sides, top, bottom and back of the towel warmer.
2. Check for installation obstacles such as electrical switches and outlets.
3. Determine if wall construction is sufficient to support the towel warmer and the water within. Locate studs within the wall and whether their location is appropriate for the installation of the selected size towel warmer.
4. Read the complete installation manual.
5. Dependent on water temperature, towel warmers may become a potential burn hazard. Be sure to install it in a location that minimizes accidental contact.
6. Pensotti towel warmers may be controlled by a thermostat or a timer that controls the heating system pump or zone valve. Pensotti offers, as an option, valve packages with integral thermostatic valves to control water flow through the towel warmer. Choose the control system that best realizes the customer's expectations.
7. Pensotti towel warmers may be operated year round if desired.

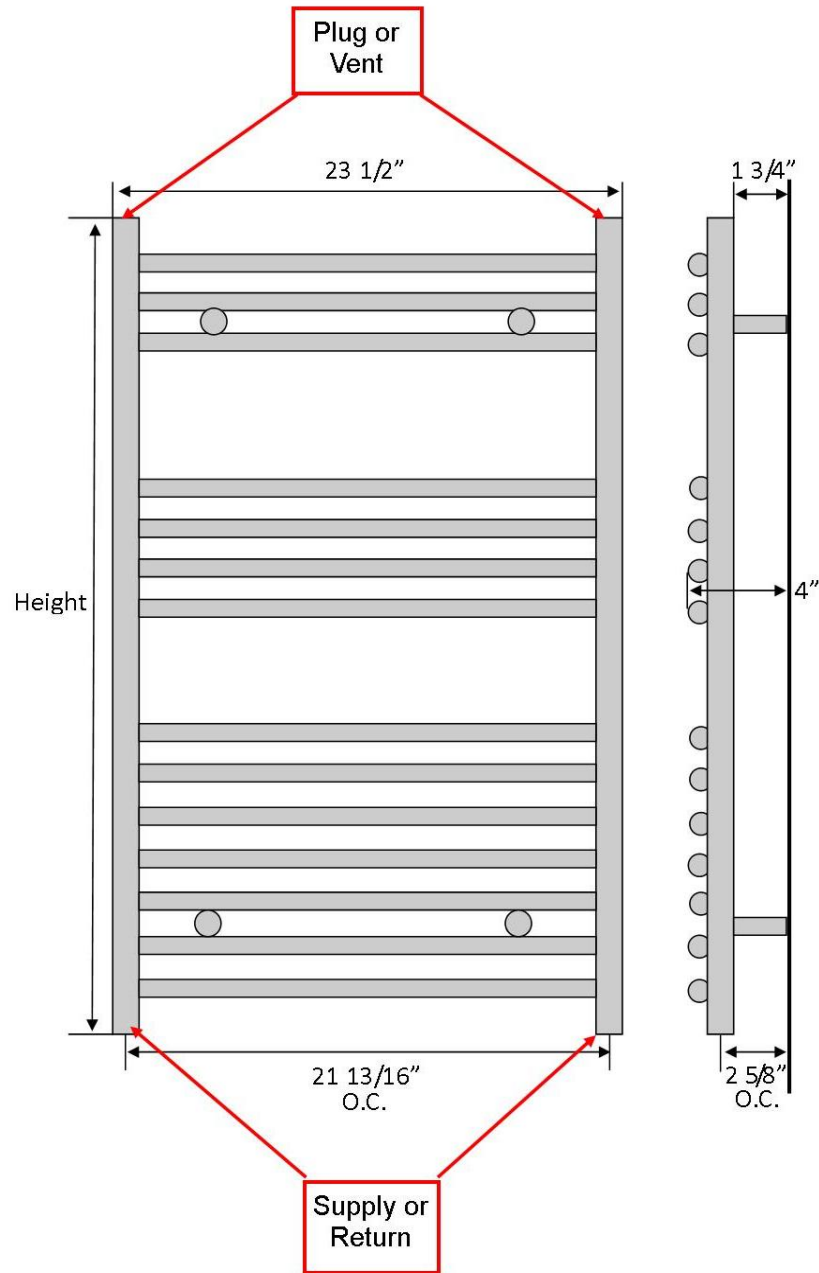
Straight Models



Either bottom tap can be the supply connection.

The manual air vent must always be installed directly above the return connection.

Curved Models



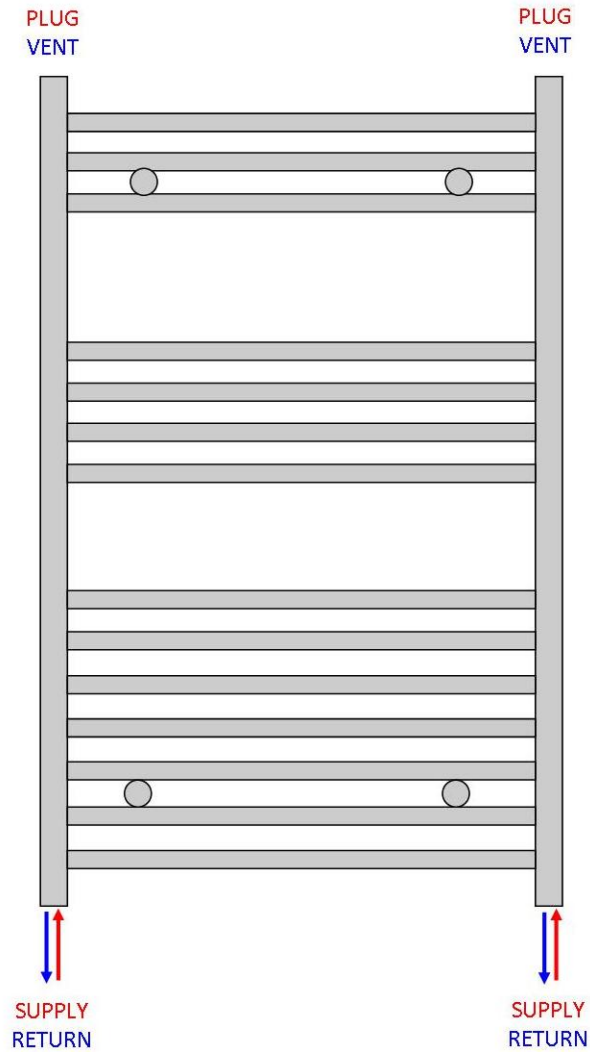
Either bottom tap can be the supply connection.

The manual air vent must always be installed directly above the return connection.

INSPECTION

- 1.** Carefully unpack the Pensotti towel warmer to avoid any damage or lose of parts. Once removed from the box, tear away the bubble wrap protection, do not use a utility knife as it could accidentally hit and damage the towel warmer's finish.
- 2.** Contents Include: Towel warmer (1), brackets (4), chrome plug with O-ring (1) and manual air vent (1). All small items are packaged in a single box.
- 3.** Before discarding any packaging material thoroughly inspect it for any miscellaneous parts.
- 4.** It is your responsibility to inspect the towel warmer for any damage. Any damage should be immediately reported to the place of purchase.
- 5.** Replacement parts are available for purchase should one become lost or damaged.

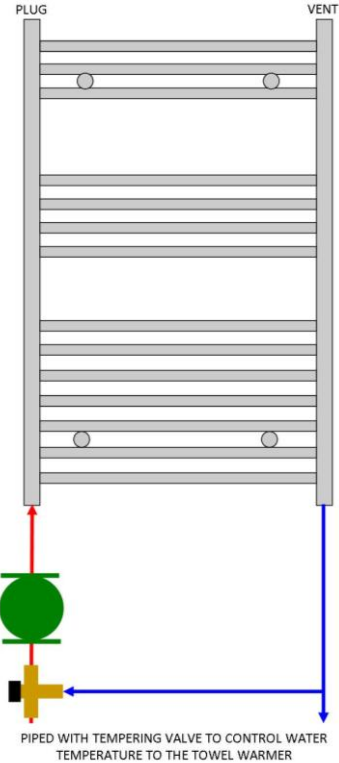
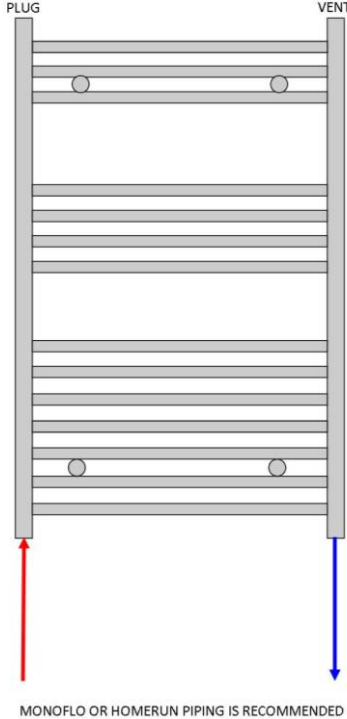
INSTALLATION



All towel warmer connections are ½" BSP, do not use NPT fittings or connectors. Use only Pensotti adapters, valves and fittings.

Always install the air vent directly above the chosen return connection.

Install towel warmers in closed loop systems only.

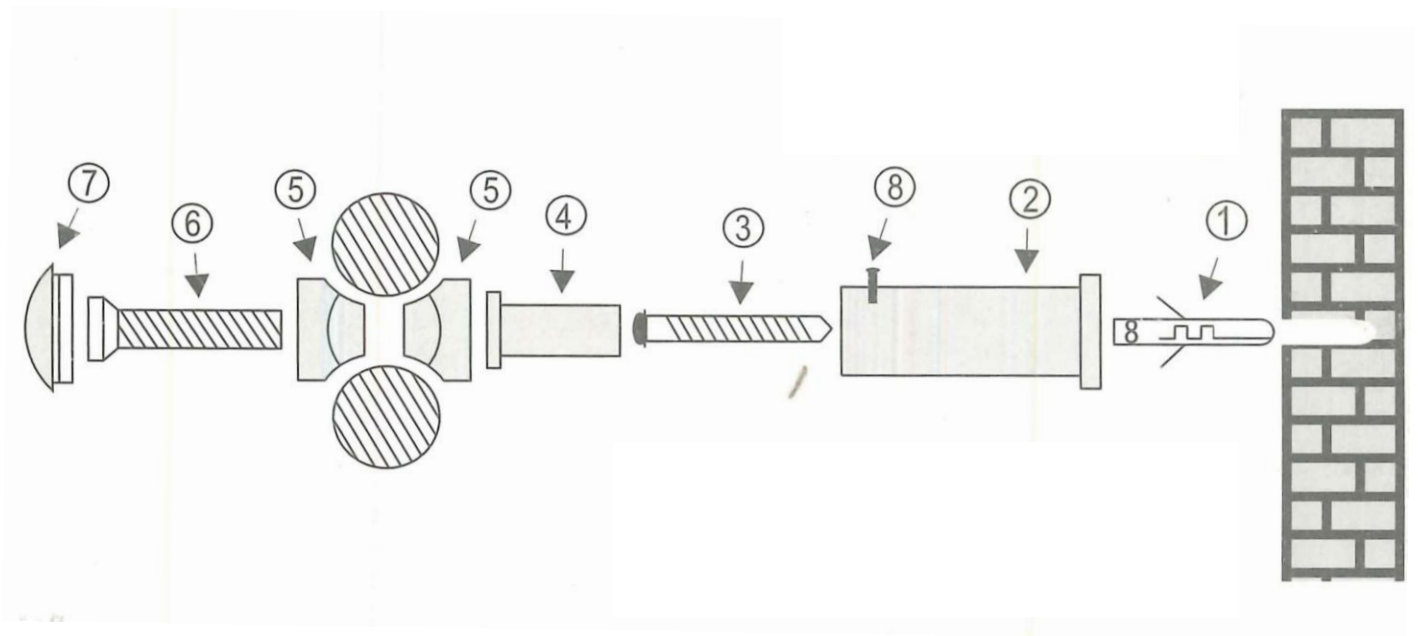
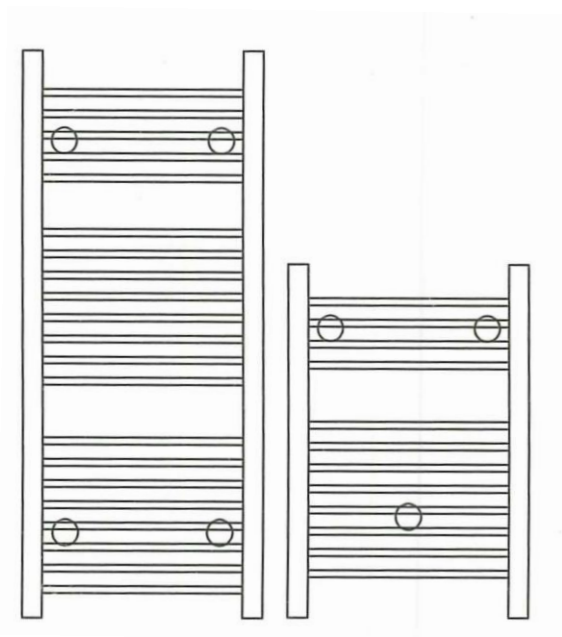


Secure the towel warmer to the wall using the (4) support brackets supplied:

FITTING ORDER

- 1- WALL FIXING PLUGS (MASONRY WALLS ONLY)
- 2- WALL PIECE
- 3- FIXING SCREW
- 4- INSERT
- 5- FRONT AND REAR GRIPS
- 6- HEAD SCREW
- 7- FRONT COVER LIG
- 8- FIXING SCREW

Suggest Bracket Locations:

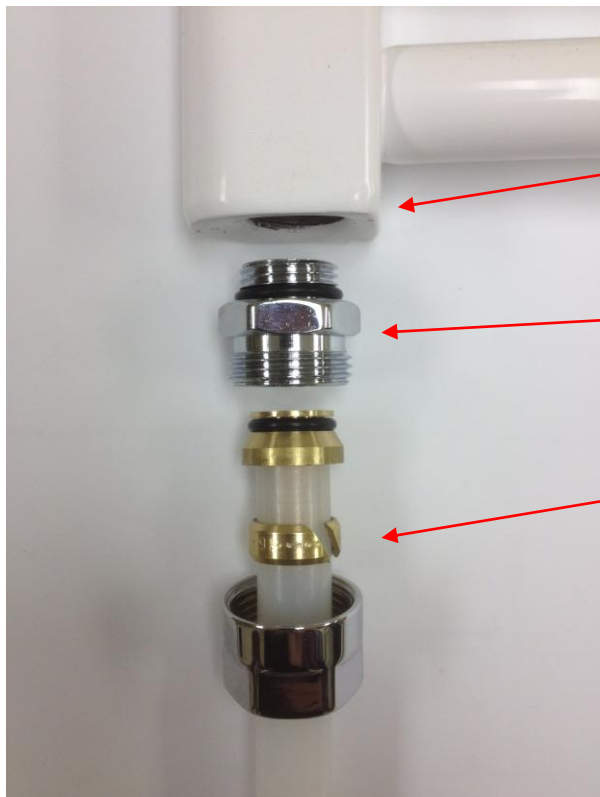


Select the proper adapters, valves and fittings required for the installation.

Pensotti has a wide variety of adapters and fittings (refer to trade price book for descriptions). All adapters and valves are O-ring sealed and do not require sealant or pipe dope. The O-ring makes a mechanical seal between the valve or adapter, and the towel warmer. Use a **12mm** allen wrench to tighten the fitting adapter to the towel warmer.

Use the proper size tools when installing these items. Protect the finish by covering it with a protective layer of thick clean cloth before applying a wrench.

All pipe fittings are compression style. They are available in 3/8", 1/2" and 5/8" PEX and 1/2" copper. These fit all of our adapters and valve assemblies.



Radiator Bottom

Straight Fitting Adapter

Pipe Adapter



Angled Adapter



Corner Valve