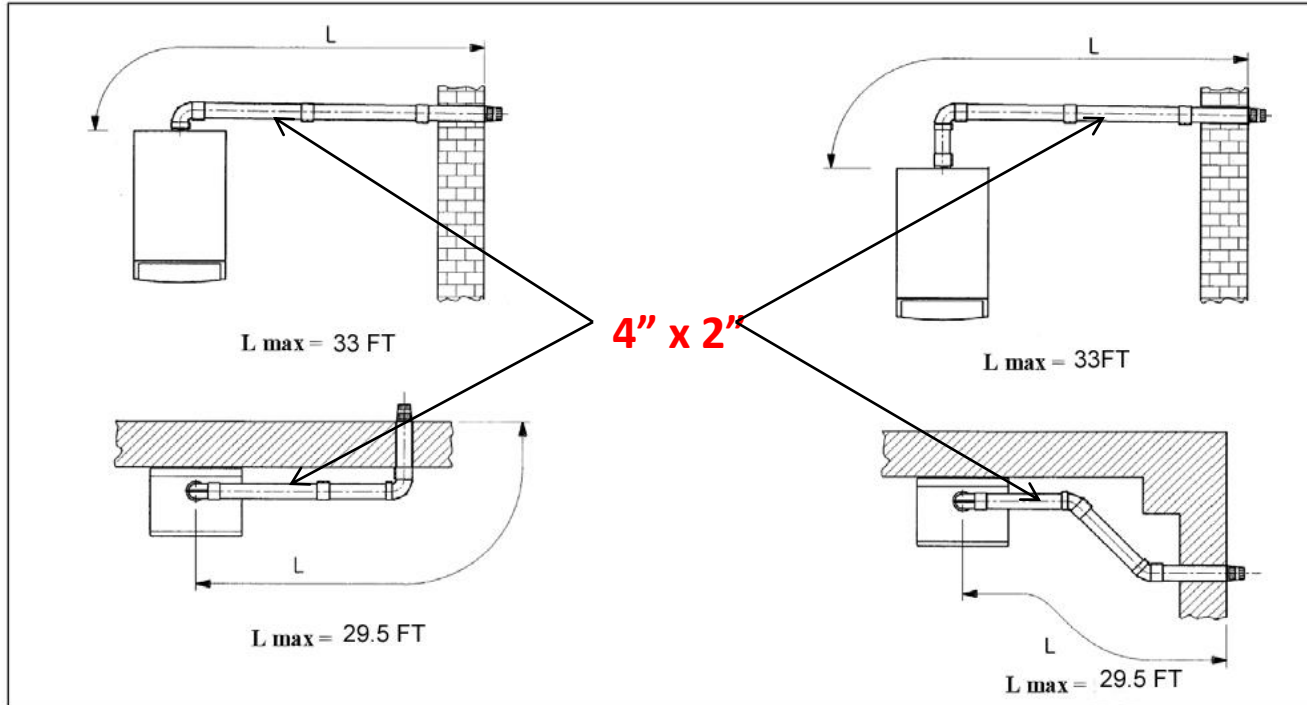


Concentric Venting

Concentric vent is Laars polypropylene pipe surrounded by coated aluminum.

Models 330 & 1.330: Inner pipe is 2" and outer pipe is 4"

Category 4 vent system – pitch vent back towards boiler



Maximum vent length (L) is 33 feet (horizontal or vertical).

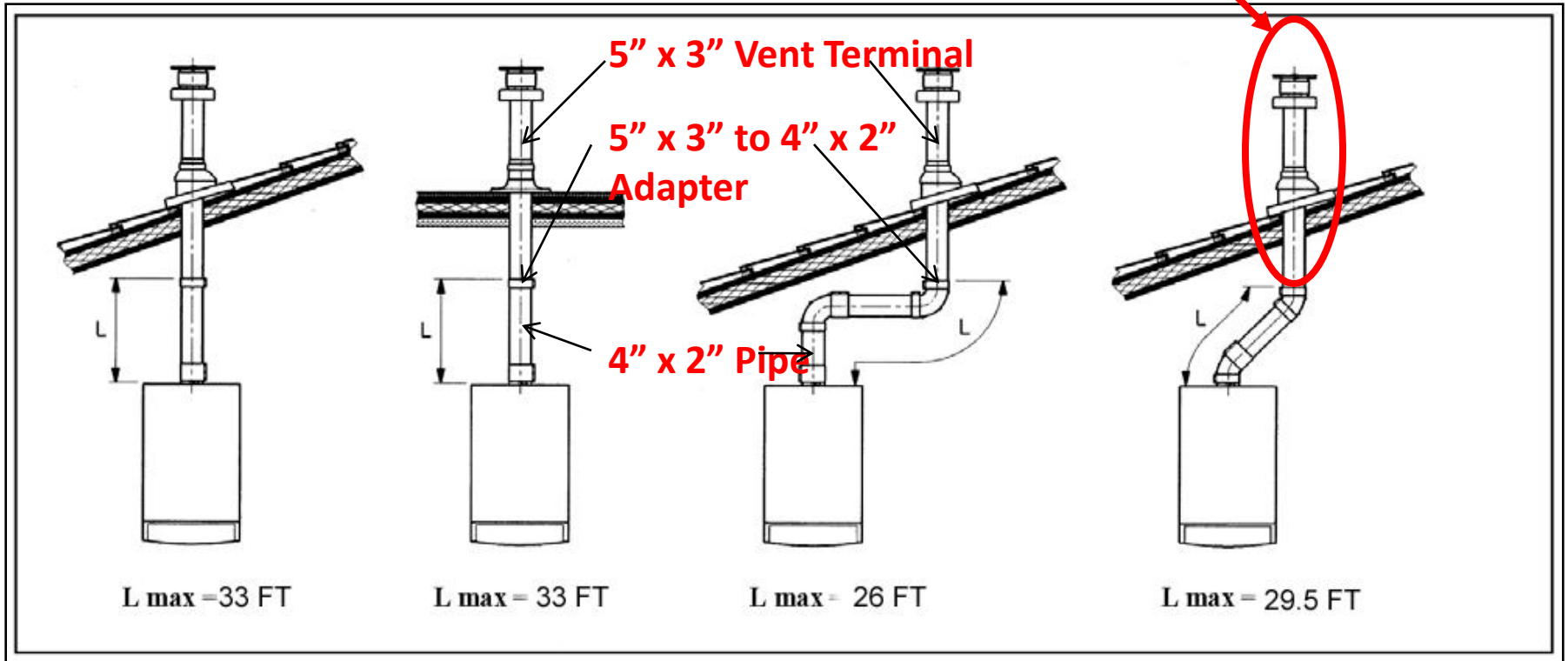
45° elbow reduces vent run by 1.64 feet.

90° elbow reduces vent run by 3.28 feet.

First elbow does NOT deduct from horizontal vent length.

Concentric Venting

For vertical vents, the length of the terminal is not included in the vent length calculation.



No free elbows as with horizontal venting configurations